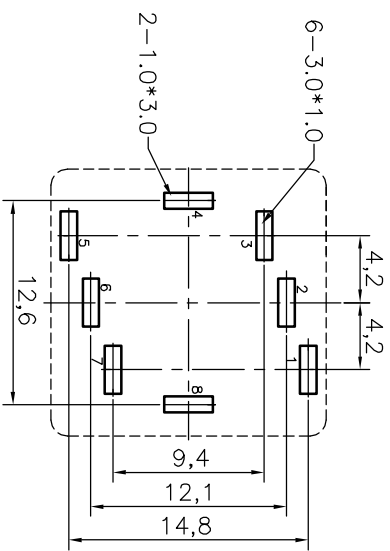


NO.	NAME	MATERIAL	FINISH
1	TERMINAL 1	PBSR-EH t=0.2	Ag PLATED
2	TERMINAL 2	PBSR-EH t=0.35	Ag PLATED
3	TERMINAL 3	BSP t=0.35	Ag PLATED
4	TERMINAL 4	PBSR-EH t=0.35	Ag PLATED
5	TERMINAL 5	PBSR-EH t=0.2	Ag PLATED
6	TERMINAL 6	PBSR-EH t=0.35	Ag PLATED
7	TERMINAL 7	BSP t=0.35	Ag PLATED
8	TERMINAL 8	PBSR-EH t=0.35	Ag PLATED
9	EARTH TERMINAL	SPM-C t=0.6	Ni PLATED
10	SCREW	BSB	Ni PLATED
11	BODY	PC	BLACK



P.C.B. HOLE LAYOUT  
(BOTTOM VIEW)

INTENDED USE		TITLE	
CUSTOMER		6.3mm PHONE JACK	
TOLERANCES		PART NO.	J161063-061
0~6±0.1 X:±1.5°		DRAW NO.	J161063-061
6~20±0.2 X:±1°		MATERIAL	SEE NOTE
20~90±0.3.XX:±0.5°		FINISH	SEE NOTE
		SCALE	1/1
		SHEET	1/1
		REV	A
		UNITS	mm
		DATE	CH 2002/3/19
		APPROD	Peter
		CHKD	Paul
		DRAW	Tina

**JJP** Jen Jia Precision Co., LTD.

1 2 3 4 5 6 7 8

1 2 3 4 5 6 7 8

E

D

C

B

A

E

D

C

B

A